

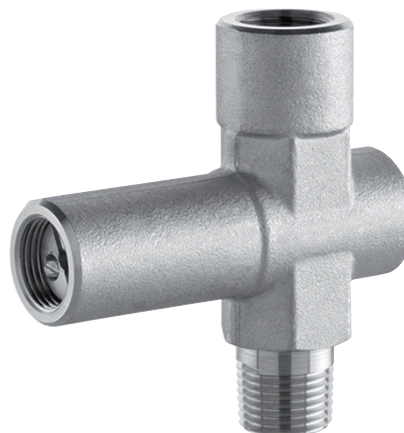
## PL02 - Pressure Limiting Valve

### FEATURES

- Protects instrument assembly from over pressure and severe pressure spikes
- Prevents damage, loss of accuracy and or rupture of sensing elements
- 316Ti SS construction

### TYPICAL USES

- Oil & Gas Industry
  - Upstream: Onshore/offshore production
  - Midstream: Transport, storage and natural gas compression
  - Downstream: Refineries and petrochemical industries
- Chemical Industry
- Power Plants
  - Conventional power plants
  - Flue gas desulfurization plants
- Other Industries
  - Waste incineration plants
  - Seawater desalination plants
  - Steel mills
  - Cement plants



**PL02**  
Pressure Limiting Valve

### SPECIFICATIONS

Process Connection:	¼ NPT Male, ½ NPT Male
Instrument Connection:	¼ NPT Female, ½ NPT Female
Construction:	316Ti SS
Maximum Pressure Rating:	14,500 psi
Maximum Temperature Rating FKM (FPM by ISO):	175°F (80°C)

### WETTED COMPONENTS

Parts	Material
Body & Valve Stem, Screw plug	316L SS
Needle Tip	316Ti SS
Piston seal	FKM (equivalent to FPM by ISO) up to 175°F (80°C)
Gland nut	304 SS

### KEY BENEFITS

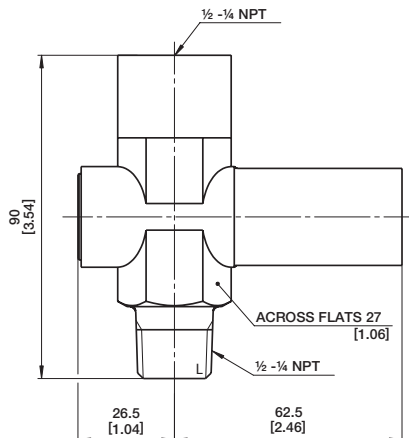
- Isolates instrument assembly from process when set pressure is realized
- Automatically resets after 25% drop in pressure from setpoint
- Available setpoints from 6 psi to 8,700 psi
- Built in pressure snubbing design

## PL02 - Pressure Limiting Valve

<b>ORDERING CODE</b>	<b>Example:</b>	<b>04</b>	<b>PL02</b>	<b>A</b>	<b>ST</b>	<b>50</b>	<b>0010#</b>	<b>-XC3</b>
<b>Process Connection</b>								
04 - ½ NPT Male		04						
02 - ¼ NPT Male								
<b>Series Code</b>								
PL02 - Valve			PL02					
<b>Style (setpoint)</b>								
		psi	bar/kg/cm <sup>2</sup>					
A - Style A		6-36	0.4-2.5	A				
B - Style B		30-85	2-6					
C - Style C		75-360	5-25					
D - Style D		300-850	20-60					
E - Style E		750-3,600	50-250					
F - Style F		3,500-5,800	240-400					
G - Style G (available in ¼" only)		5,800-8,700	400-600					
<b>Material</b>								
ST - 316Ti SS					ST			
<b>Instrument Connection</b>								
50 - ½ NPT Female						50		
25 - ¼ NPT Female								
<b>Factory Set Range (4-digit) *other ranges available on request</b>								
0010# - 10 psi*							0010#	
0002BR - 2 bar								
0010KG - 10 kilogram								
<b>Options (If choosing option(s) must include an "X")</b>								
HY - Hydrostatic testing								-X _ _
NH - SS Tags								
C3 - Material traceability report								C3
E9 - Assembly: Instrument, Pressure limiting valve, siphon <sup>(1)(2)</sup>								
F7 - Assembly: Instrument, Pressure limiting valve, Diaphragm seal or isolation ring <sup>(1)</sup>								
F9 - Assembly: Instrument, Capillary, Pressure limiting valve, Snubber, Diaphragm seal or isolation ring <sup>(1)</sup>								
K2 - Assembly: Instrument, Capillary, Pressure limiting valve, Diaphragm seal or isolation ring <sup>(1)</sup>								
L2 - Assembly: Instrument, Pressure limiting valve, Diaphragm seal or isolation ring <sup>(1)</sup>								
5G - Assembly: Instrument, Pressure limiting valve <sup>(1)</sup>								
6B - Cleaned for oxygen service								

(1) - Assemblies are configured in order as listed. Consult factory for details on configuration and for other assembly options.  
All components in assembly must be purchased as separate items.  
(2) - Coil and pig tail siphons will only be hand tightened onto the assembly for filling purposes.

### DIMENSIONS in [ ] are decimal inches



For reference only, consult Ashcroft for specific dimensional drawings