

Type 1198 Finned Siphon

FEATURES

- For pressure ratings to 3000psi
- For process temperature ratings to 700°F (371°C)
- Compatible with many process media
- For use with gauges, switches, transducers and diaphragm seals

TYPICAL USES

- Chemical and Petrochemical
- Oil and Gas
- Pulp and Paper
- Power



SPECIFICATIONS

Process Conn: ¼ NPTM, ½ NPTM

Instrument Conn: ¼ NPTF, ½ NPTF

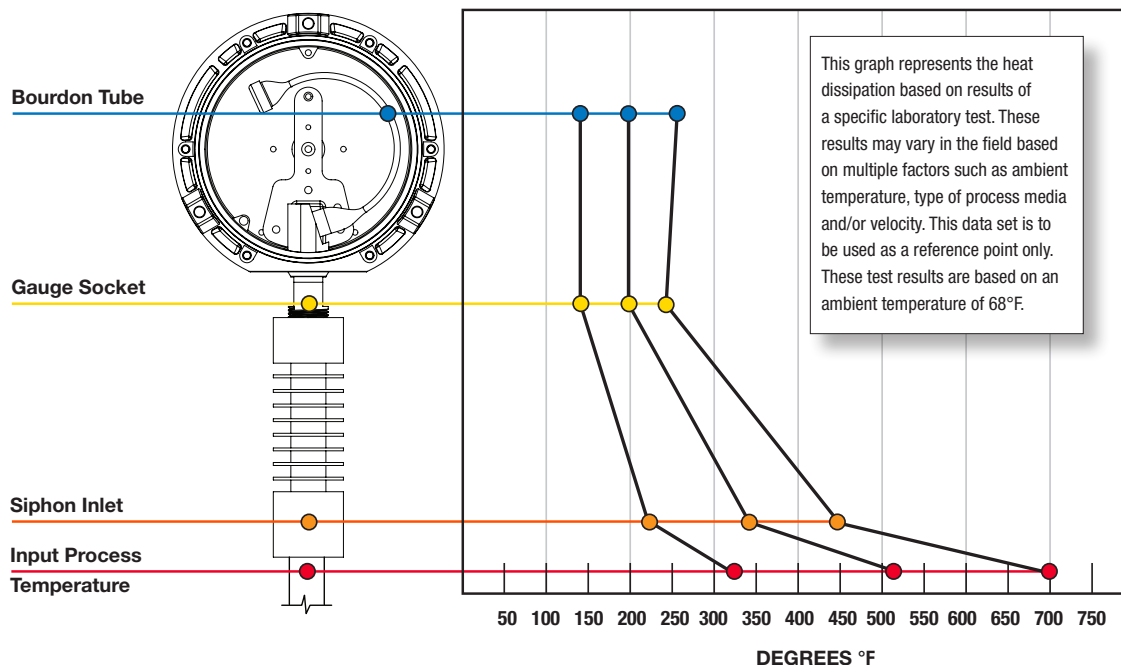
Materials: 316L Stainless Steel, Monel

Max Allowable

Working Pressure: 3000 psi (700°F)

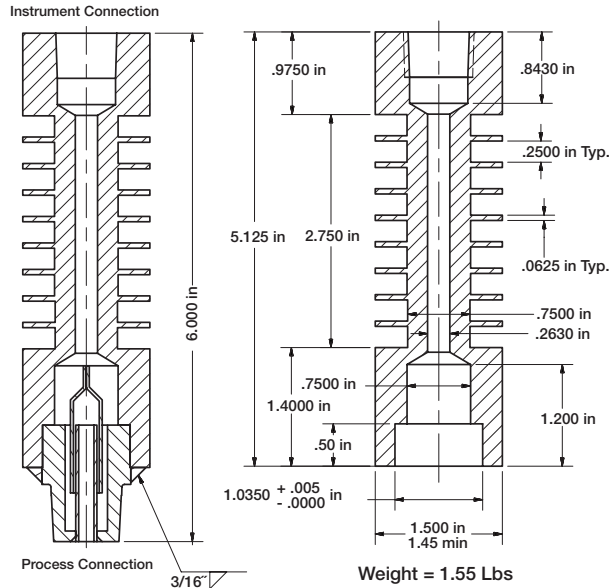
- Protects instrument from elevated temperatures
- Direct mounting of instrument with siphon to the process
- Built-in dampening mechanism combats pulsation

FINNED SIPHON HEAT DISSIPATION CHART



Type 1198 Finned Siphon

DIMENSIONS



ORDERING CODE

Example:

04	1198	SS	50	XC3F2
----	------	----	----	-------

Process Connection				
(02) ¼ NPT Male	02			
(04) ½ NPT Male	04			
Model Type				
(1198) Finned Siphon	1198			
Material				
(SS) 316L Stainless Steel		SS		
(PM) Monel		PM		
Instrument Connection				
(25) ¼ NPT Female			25	
(50) ½ NPT Female			50	
Options				X _ _
(F2) Attached to Instrument				F2
(F3) Attached to Gauge and Diaphragm Seal				F3
(NH) Wired Stainless Steel Tag				NH
(6B) Cleaned for Gaseous Oxygen				6B
(6N) Cleaned for Nuclear Service				6N
(6W) Cleaned for Oxidizing Process Other Than Oxygen				6W
(C3) Material Certificate (Compliance to EN 10204.2004 3.1)				C3